

NA - TG7

For Olympus Tough TG 5 / 6 / 7 Camera

PN 17820/17821

User Manual
Housing
COMPACT

Introduction	2
Package Contents	2
Important Instructions	3
Part Names and Functions	4
Housing Mount	7
Opening the Housing	8
Closing the Housing	9
Installing the Camera	10
Installing the Diffuser	11
Preparation for Use	12
Care/Storage	13
Warranty	14
Specifications	15

INTRODUCTION

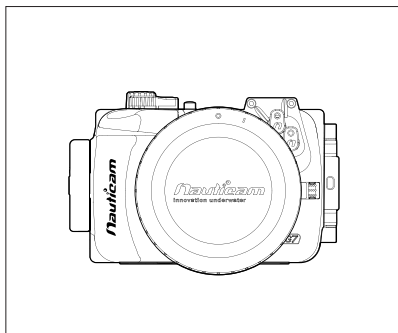
Thank you for purchasing this Nauticam product.

Before using the product, please read this manual thoroughly to familiarize yourself with full scope of functions on the product as well as ensuring that you will use the product correctly.

PACKAGE CONTENTS

Make sure that you have all the included items listed below before using this product. If some items are missing or damaged, contact your local Nauticam dealer.

17820 NA-TG7 Housing (BM)

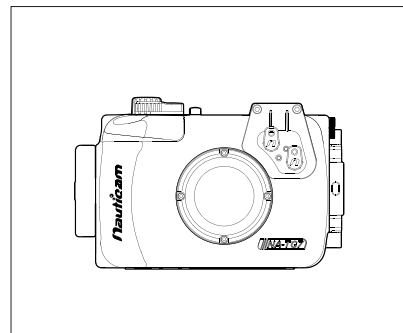


NA-TG7

with Bayonet Mount

(2 x Plugs for Optical Fiber Cable Mount,
1 x Bayonet Mount Cap)

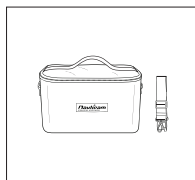
17821 NA-TG7 Housing (M52)



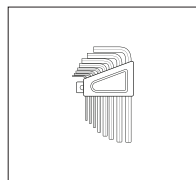
NA-TG7

with M52 Mount

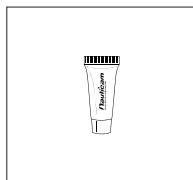
(2 x Plugs for Optical Fiber Cable Mount,
1 x Bayonet Mount Cap)



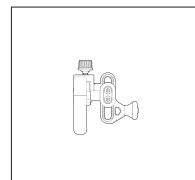
Padded Travel Case



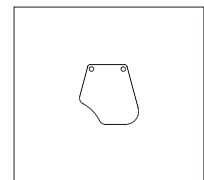
Allen key set



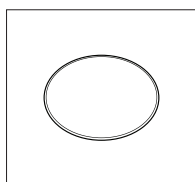
Lubricant



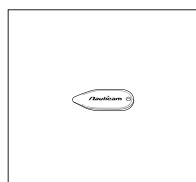
Shutter Release
Extension



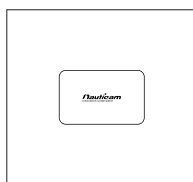
Diffuser



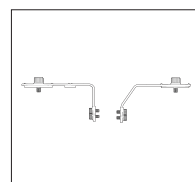
Spare Silicone
Rubber O-ring
#90126



O-ring Remover



Manual Instruction
Card



L & R Handle
Brackets

After purchase, we suggest that you reuse all packaging materials for future travelling.

IMPORTANT INSTRUCTIONS

1

Water-tight test of the housing (without camera inside) before usage is recommended as well as any O-ring renewal and port change.

2

Do not seal the housing when travelling by air as this may lead to a pressure difference between the atmosphere and inside the housing.

3

Only the accessories specified by Nauticam must be used. Third-party accessories may result in malfunctions or damage to the product.

4

Use only Nauticam lubricant on silicone rubber O-ring.

5

Do not stretch any O-rings excessively. Only remove it using Nauticam O-ring remover.



6

Discontinue use immediately when there is a sign of leakage.

7

Do not attempt to remove parts of the housing yourself. Repairs must be done at authorized service centers only.

8

The housing should be positioned on the a stable and safe surface on land.

9

Do not expose the housing in direct sunlight for a prolonged period.

10

Do not open the housing in wet or sandy environment. Protect the housing from moisture and debris in order to prevent malfunction or leakage.

11

Prevent any sand or dust or water penetration inside the housing. Be extra careful when changing lens and inserting or removing the camera.

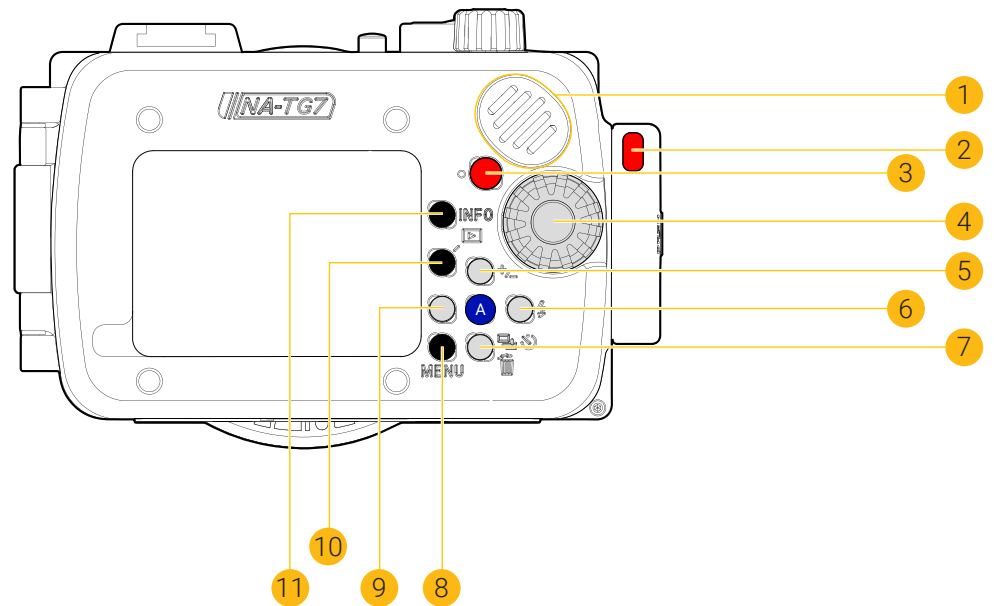


12

This product is not intended for use by children, or persons with reduced physical, sensory or mental capabilities, or lack of experience and knowledge, unless they are supervised and/or given instruction by a responsible person concerning use of the product to ensure that they can use it safely.

PART NAMES AND FUNCTIONS

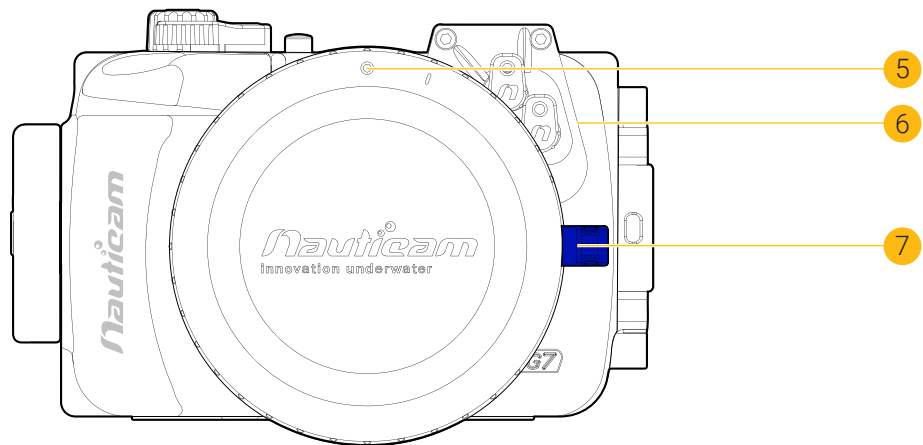
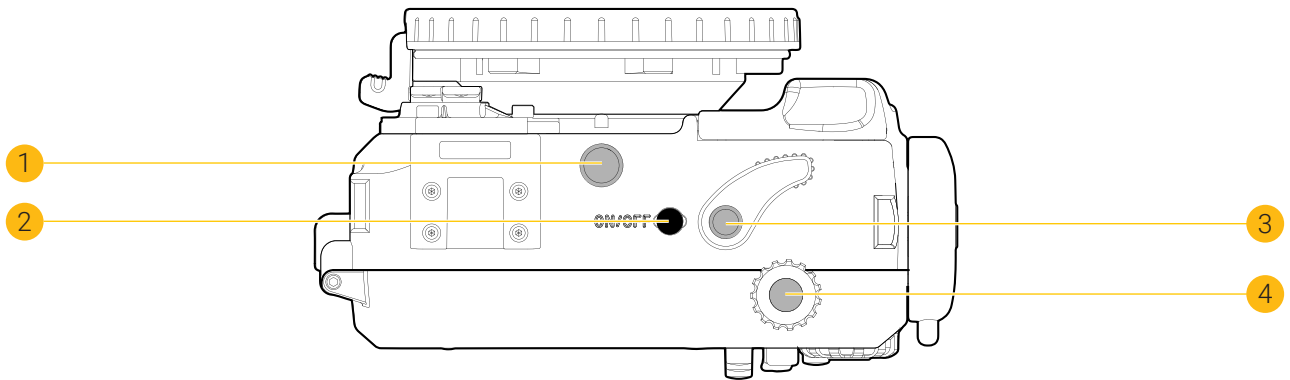
Rear View



- | | | | |
|----|---------------------------------|----|-----------------------|
| 1 | Thumb position | 2 | Housing unlock button |
| 3 | REC button | 4 | Quick control dial 1 |
| 5 | Up/Exposure compensation button | 6 | Right/Flash button |
| 7 | Quick control dial 1 | 8 | Menu button |
| 9 | Left/Mode unction button | 10 | Playback button |
| 11 | Info button | A | Menu/Set button |

PART NAMES AND FUNCTIONS

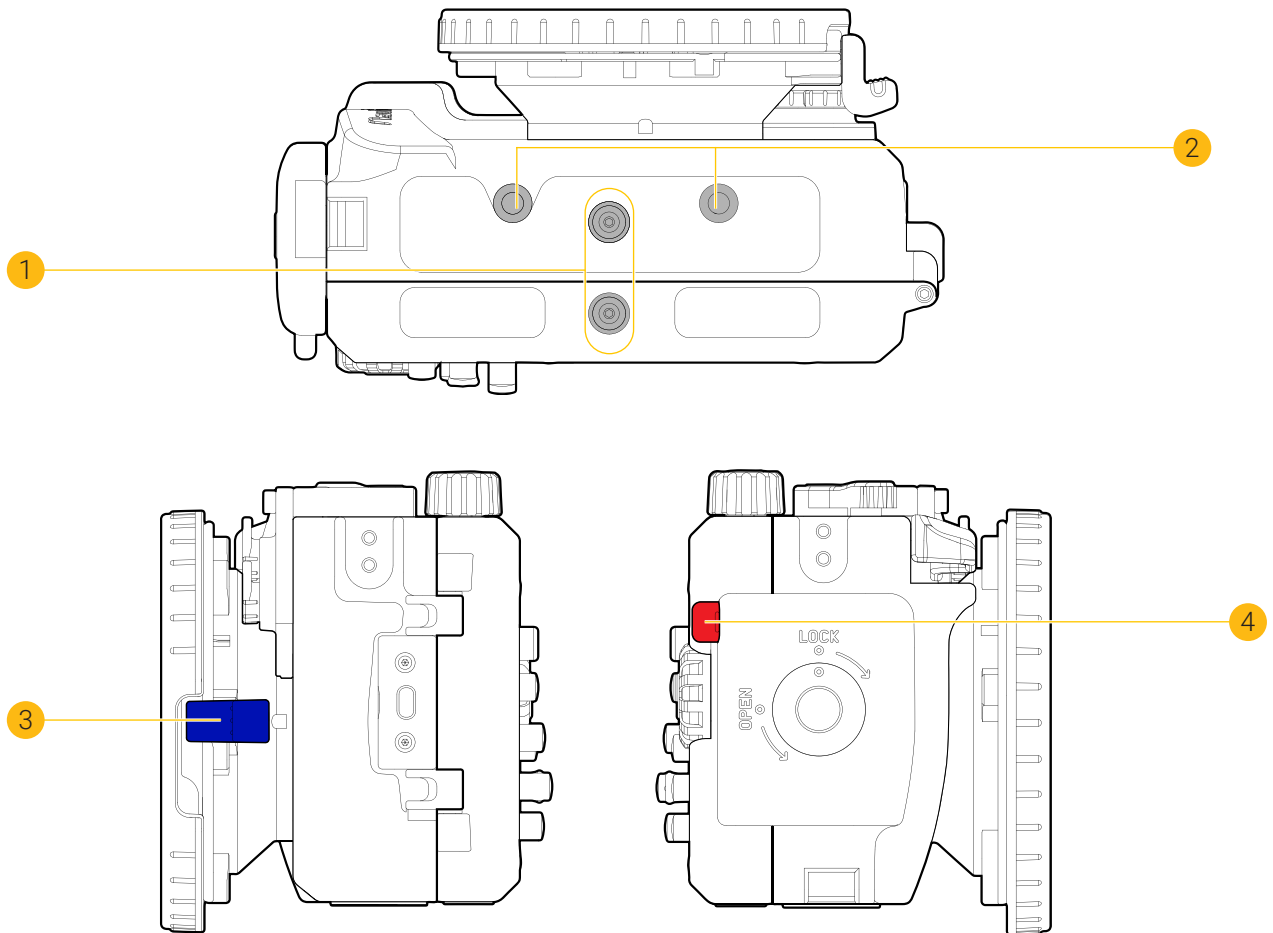
Top + Front Views



- | | | | |
|---|-------------------------|---|---------------------|
| 1 | M10 Accessory port | 2 | ON/OFF lever |
| 3 | Zoom/Focus knob release | 4 | Rear dial |
| 5 | Port index mark | 6 | Optical fibre mount |
| 7 | Lens release button | | |

PART NAMES AND FUNCTIONS

Bottom + Side Views



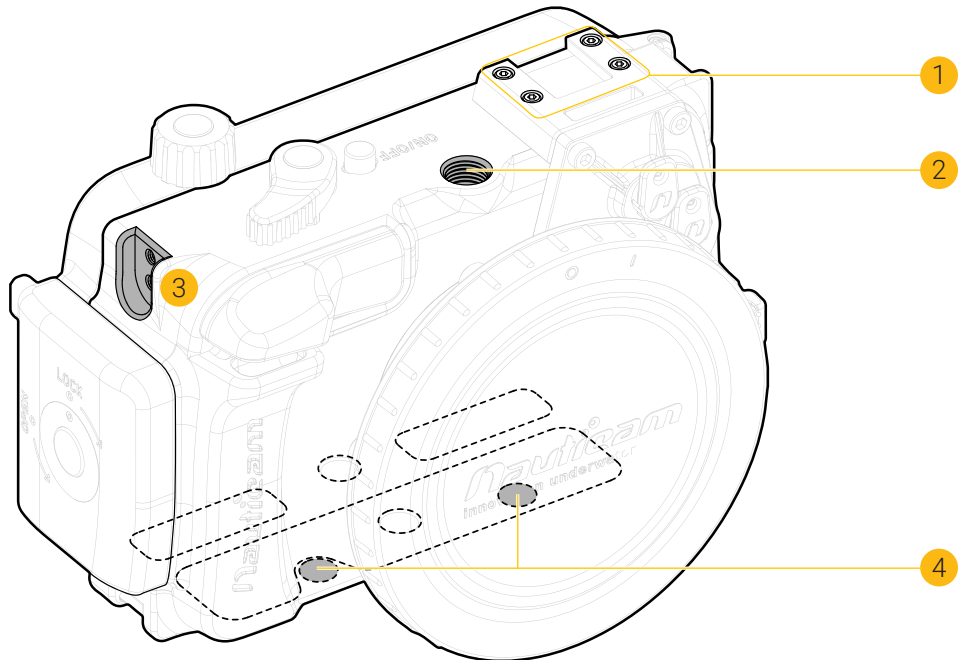
1 Sacrificial zinc anodes

2 1/4" Threaded tripod holes

3 Lens release button

4 Housing unlock button

HOUSING MOUNT



Housing mount

- 1 Cold shoe
- 2 M10 Accessory port
- 3 Hand straps and housing tray
- 4 1/4" -20 Mounting threads

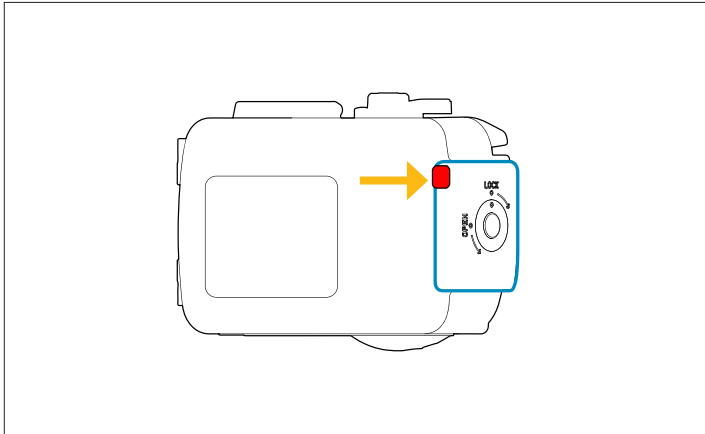
Compatible accessories

- | | |
|-------|---|
| 25311 | Strobe Mounting Ball for Cold Shoe |
| 25312 | Light Mounting Stem for Cold Shoe |
| 25321 | Long Strobe Mounting Ball for Cold Shoe |
| 25322 | Long Light Mounting Stem for Cold Shoe |
| 25221 | M10 Strobe Mounting Ball for Housing |
| 71206 | Easitray II with Left Handle |
| 71207 | Flexitray II with Left Handle |
| 71208 | Adjustable Right Handle II |
| 17954 | Universal Tripod Plate |
| 17960 | Universal Quadra-pod Plate |

OPENING THE HOUSING

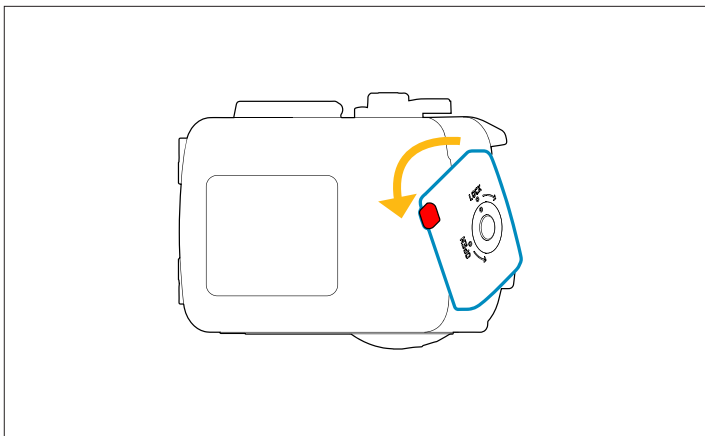
* drawings as illustrations only

1



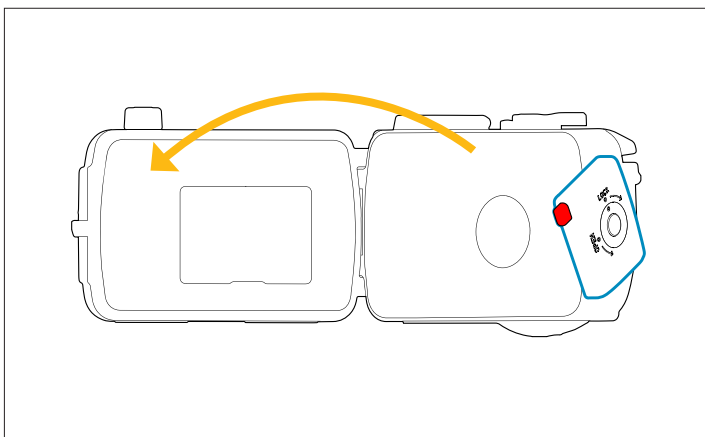
depress housing unlock button

2



turn housing lock latch
anti-clockwise to open the
housing

3

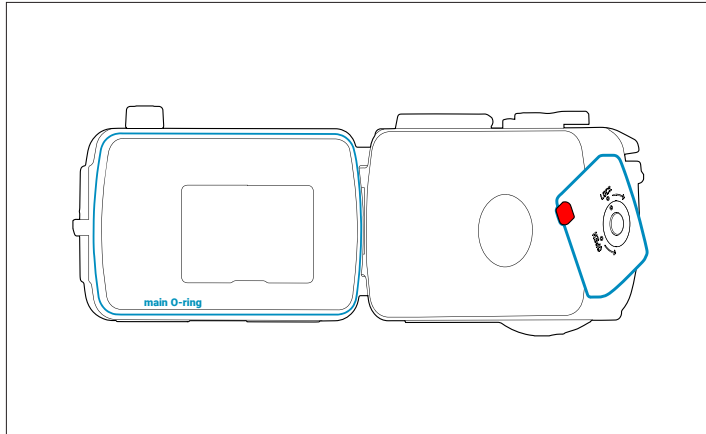


flip open the back housing
when lock latch is aligned to
'open' position

CLOSING THE HOUSING

* drawings as illustrations only

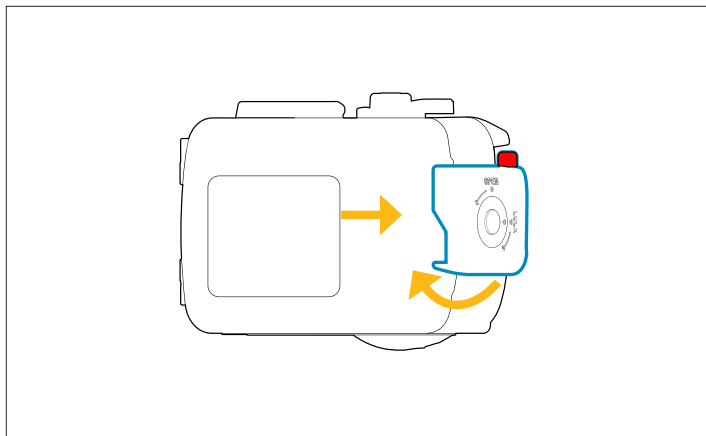
1



before closing the housing, clean and lubricate the main O-ring

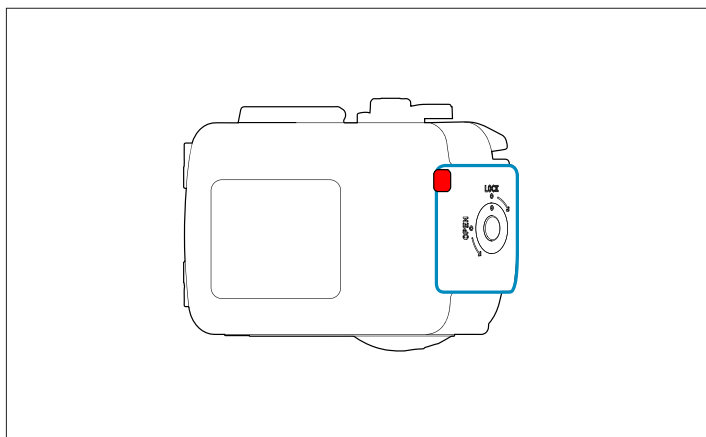
make sure nothing is caught between front and back housing and that they are fully aligned before locking

2



insert the housing shaft into the shaft hole and then rotate the lock latch clockwise until you hear and feel it click into place

3

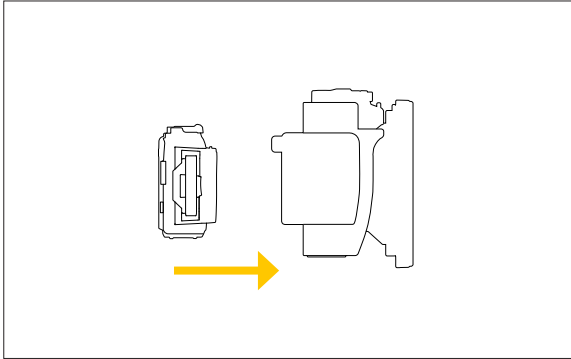


housing locked in place securely

INSTALLING THE CAMERA

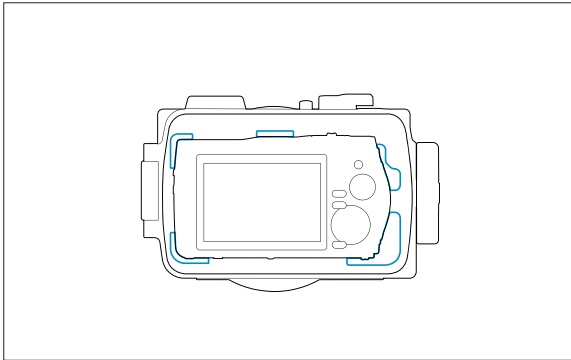
* drawings as illustrations only

1



place the camera into the housing

2



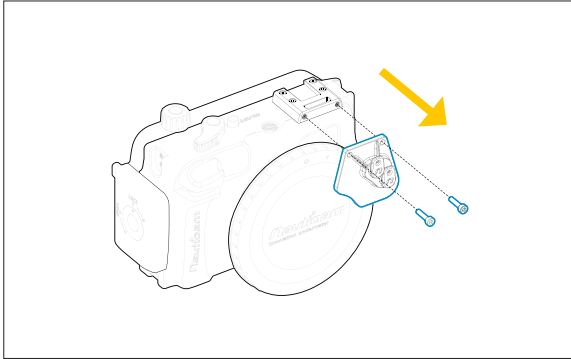
make sure that the housing is engaged and in-placed with camera holder

INSTALLING THE DIFFUSER

* drawings as illustrations only

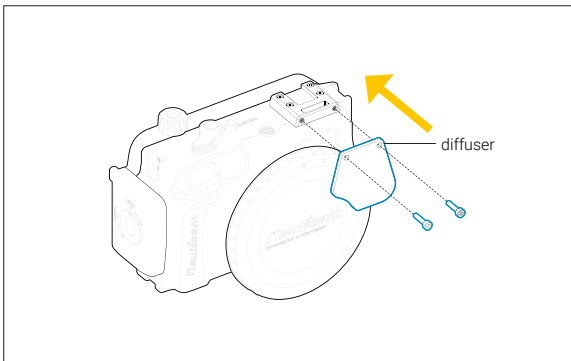
Using built-in flash

1



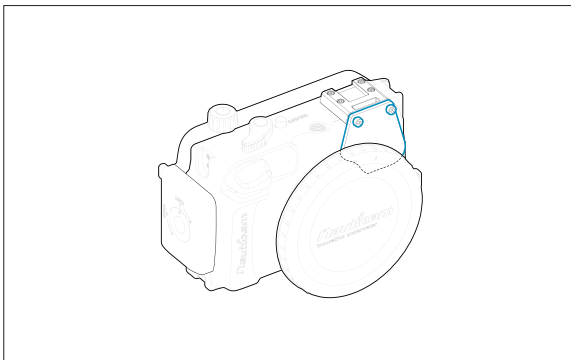
remove the optical fibre mount

2



screw the diffuser onto the housing
as shown

3

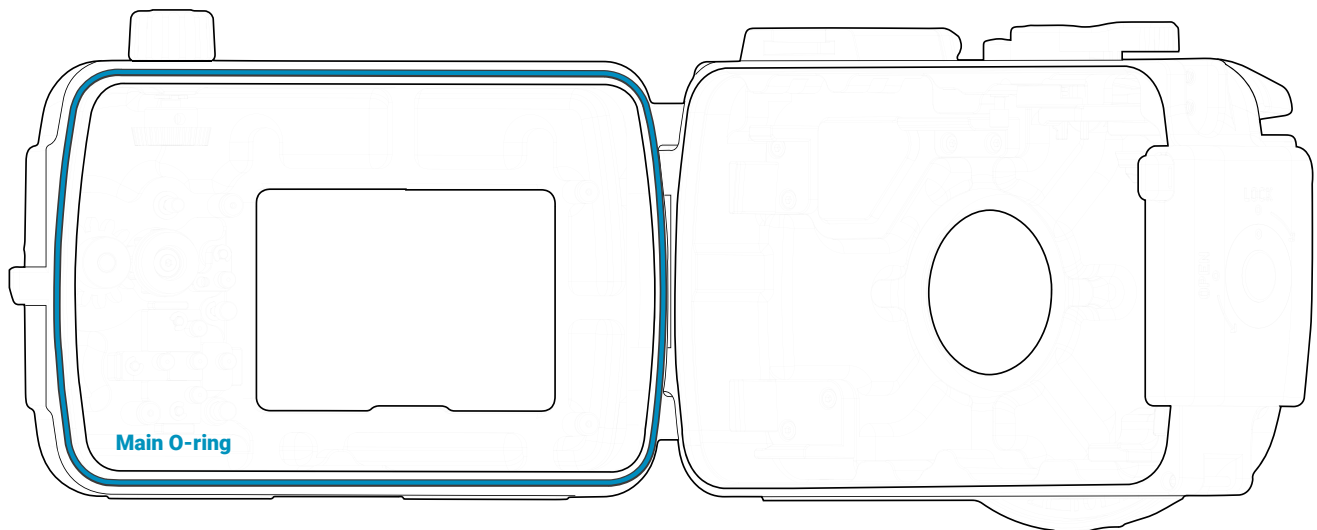


flash diffuser in place

PREPARATION FOR USE

* drawings as illustrations only

Coating housing O-ring



1
remove the main O-ring using an O-ring remover

2
clean the O-ring groove with a cloth and ensure
that it is free from salt or other foreign materials

3
lightly coat it with provided lubricant

4
return the main O-ring by slowly pressing from
one corner to the whole perimeter

CARE/STORAGE

1

Soak the housing system in fresh water after salt water usage

2

Operate all controls and buttons at least 3 times while immersed in fresh water

3

We recommend cleaning and inspecting the main O-ring each time after diving for any damage and every time the housing is opened.

4

Protect the housing with robust and shock-proof travel case during transportation. Do not travel with camera inside housing.

5

We recommend to ship the housing to our service centers for a complete overhaul after 500 dives/every 3 years.

WARRANTY

All NAUTICAM Housing Products and Viewfinders are warranted against any material and manufacturing defects for two years from the date of purchase for consumer use. NAUTICAM Optical Accessories are warranted against material and manufacturing defects for a period of one year, and HDMI cables carry a year warranty.

This warranty only applies to products purchased from authorized NAUTICAM dealers and does not extend beyond the original retail purchaser.

To return your product for service, please contact your regional authorized service center(s). Please note that this warranty only applies when the product is purchased in the territory where the service center is located.

NAUTICAM accepts no liability for any damage to and defects in the housing caused by improper use and/or poor maintenance; it is the responsibility of the owner to carefully follow the instructions in our manuals.

NAUTICAM does not hold responsibility for damage, of any nature, to any equipment used with and/or placed within our products.

NAUTICAM accepts no liability for any loss of captured images or the inability to capture images even if it is due to the malfunctioning of our products.

Unauthorized modifications and/or repairs of our products will automatically invalidate the warranty.

SPECIFICATIONS

17820 NA-TG7 Housing for Olympus Tough TG 5 / 6 / 7 Camera (BM)

Construction

Housing body	Hard Anodized Aluminium Alloy
Display window	Abrasion Resistant Polycarbonate

Dimensions

Width	162 mm
Height	110 mm
Depth	93 mm

Weight

In air	0.68 kg
Buoyancy in water	negative 0.2 kg (incl. camera)

Depth

Rating	100 m
--------	-------

Port Specifications

Port mount	N50 compact system with Bayonet Mount <i>* Port is inexchangeable</i>
Port accessories	1 x M10,1/4-20 UNC x 2

Hand strap

36316 Hand Strap for Mirrorless IL Camera & Compact Camera Housing
--

Viewfinder

25123 LCD Magnifier Attachment Rails
25106 LCD Magnifier with Dioptic Adjustment

Buoyancy Options

72221 Ø50x200mm Carbon Fibre Aluminium Float Arm (Buoyancy 160g)
72222 Ø50x250mm Carbon Fibre Aluminium Float Arm (Buoyancy 240g)
72223 Ø50x300mm Carbon Fibre Aluminium Float Arm (Buoyancy 320g)

WET LENS COMPATIBILITY

**please refer to Nauticam port charts for more setup information.*

Wet Lens

Macro	81301 Compact Macro Convertor 1 (CMC-1, 4.5x Magnification)
	81302 Compact Macro Convertor 2 (CMC-2, 2.8X Magnification)
	<i>* 83214 Bayonet Mount Adaptor is required to used with CMC-1 & CMC-2</i>
Wideangle	83203 Wet Wide Lens Compact (WWL-C) 130 deg. FOV with Compatible 24mm Lenses (incl. float collar)

Optional Wet Lens Accessories

83214 Bayonet Mount Adaptor for SMC/CMC

FLASH TRIGGERING

Optical

Manual Flash Trigger - Built-in Flash

26216 Universal Optical Fiber Cable

SPECIFICATIONS

17821 NA-TG7 Housing for Olympus Tough TG 5 / 6 / 7 Camera (M52)

Construction

Housing body	Hard Anodized Aluminium Alloy
Display window	Abrasion Resistant Polycarbonate

Dimensions

Width	162 mm
Height	110 mm
Depth	93 mm

Weight

In air	0.68 kg
Buoyancy in water	negative 0.2 kg (incl. camera)

Depth

Rating	100 m
--------	-------

Port Specifications

Port mount	N50 compact system with Bayonet Mount <i>* Port is inexchangeable</i>
Port accessories	1 x M10,1/4-20 UNC x 2

Hand strap

36316 Hand Strap for Mirrorless IL Camera & Compact Camera Housing
--

Viewfinder

25123 LCD Magnifier Attachment Rails
25106 LCD Magnifier with Dioptic Adjustment

Buoyancy Options

72221 Ø50x200mm Carbon Fibre Aluminium Float Arm (Buoyancy 160g)
72222 Ø50x250mm Carbon Fibre Aluminium Float Arm (Buoyancy 240g)
72223 Ø50x300mm Carbon Fibre Aluminium Float Arm (Buoyancy 320g)

WET LENS COMPATIBILITY

**please refer to Nauticam port charts for more setup information.*

Wet Lens

Macro	81301 Compact Macro Converter 1 (CMC-1, 4.5x Magnification)
	81302 Compact Macro Converter 2 (CMC-2, 2.8X Magnification)
<i>* 38024 M52 to M67 Step Up Adaptor Ring is required to used with CMC-1 & CMC-2</i>	
Wideangle	83203 Wet Wide Lens Compact (WWL-C) 130 deg. FOV with Compatible 24mm Lenses (incl. float collar)
<i>* 83255 Bayonet Converter is required to used with 83203</i>	

Optional Wet Lens Accessories

38024 M52 to M67 Step Up Adaptor Ring
81228 M67 Spacer Ring for SMC/CMC (incl. in all SMC/CMC Packaging)
83214 Bayonet Mount Adaptor for SMC/CMC
83255 Bayonet Converter (to use with WWL-1/WWL-C)

FLASH TRIGGERING

Optical

Manual Flash Trigger - Built-in Flash

26216 Universal Optical Fiber Cable

Nauticam Internationl Ltd.

Rm 2203, CCT Telecom Bldg,
11 Wo Shing St,
Fo Tan,
Hong Kong

Tel. +852 - 26902711
Fax. +852 - 26909778
URL. www.nauticam.com
Gallery. www.nauticam.smugmug.com